



Vacuum Gate Valve 2005

Tera
Technology

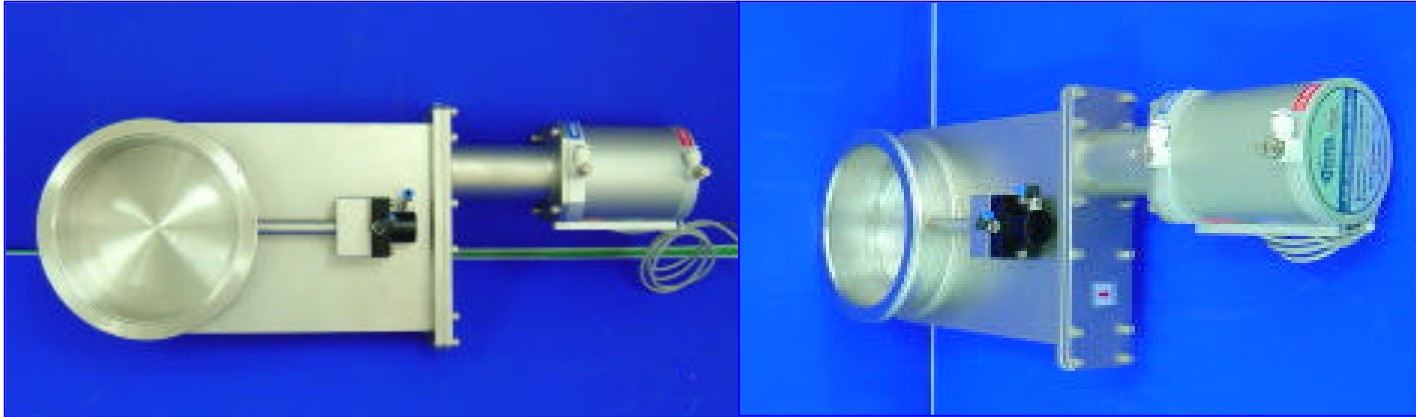


529

Tel : 031-653-8360, Fax : 031-653-8361

Auto Gate Valve (TGVSA-MF160/125/100)

Soft Start Auto Gate Valve

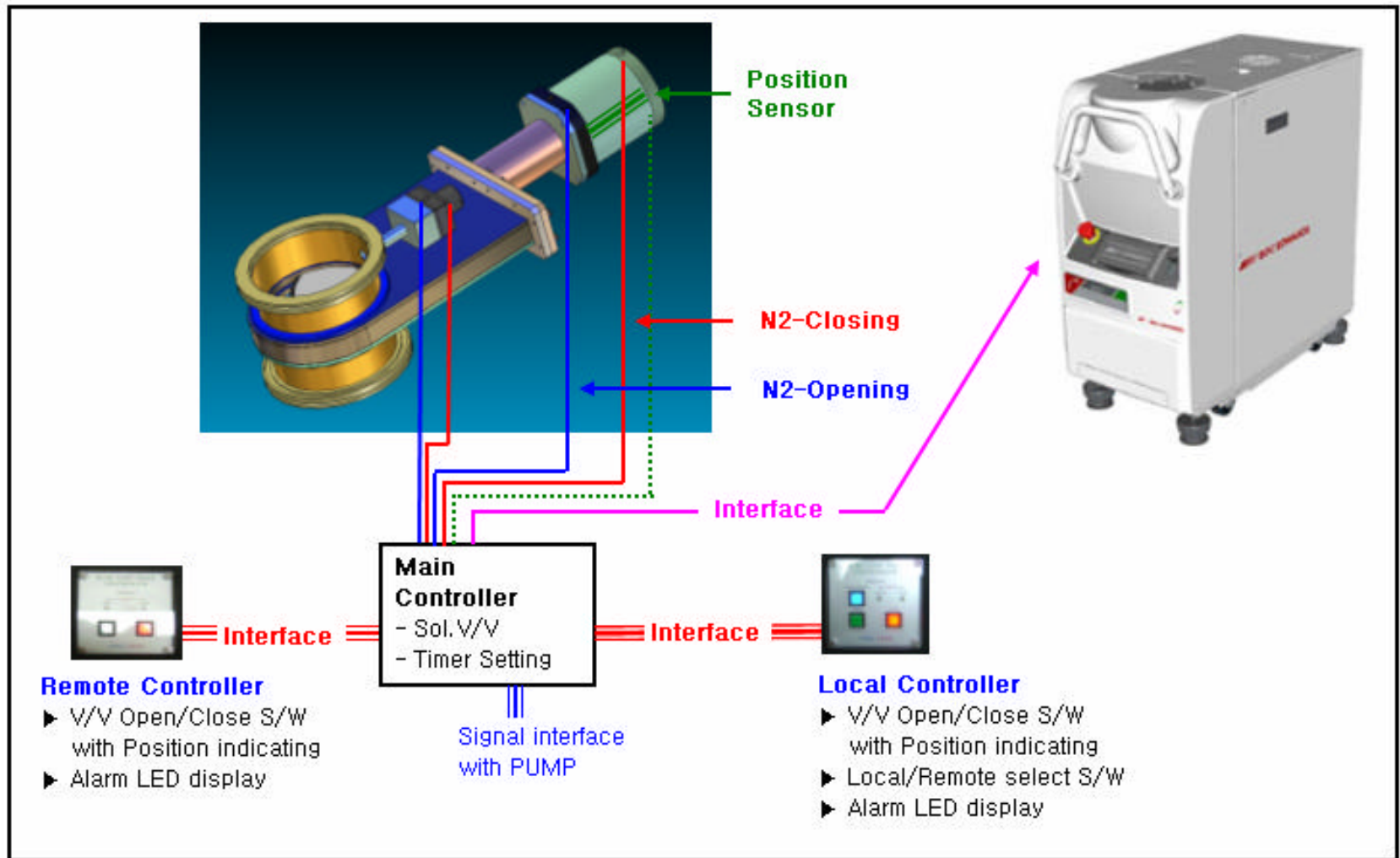


- Slow & Fast Pumping Control ()
- Vibration & Particle free → In-Line Gate Valve
- Open/Close Position Indicating & Alarm display
- Remote () Control 가
- Field Installation : Samsung & Hynix (300mm FAB)



Auto Gate Valve (TGVSA-MF160/125/100)

System



Auto Gate Valve (TGVSA-MF160/125/100)

+ Specifications

Technical TGVSA Series (ISO/MF-100/125/160)		Utilities	TGVSA Series (MF125/160)
Leak Rate	< 1 x 10 ⁻⁸ mbar.liter/sec	Operating Air(N2) Pressure	65~120 psig (0.45~0.8 Mpa)
Pressure Range	1 x 10 ⁻⁹ torr to 1.6 bar	Pneumatic - Supply	O.D : 6 mmØ
Body Temperature	≤ 200 °C	- Main V/V	O.D : 6 mmØ
Materials - Body	SUS 304 (EP) Option : X-Coating	- Bypass V/V	O.D : 4 mmØ
- Mechanism	SUS 304 / AL 6061	Main Power for Controller	AC220V, , < 5A
- Gate Sealing	O-Ring (Viton)		
Lead time for Open/Close	Open Close : < 0.4 sec Close Open : < 0.3 sec		
Weight	ISO100 – 8 kg MF125 – 10 kg MF160 – 12 kg		
Position Indicating	LED display by Magnet Sensor		

1. Local Controller – Pump

Controller



- 1) Local/Remote Selecting – Push Button
 - . Local : Blue Lamp ‘ON’
Local 가
 - . Remote : Lamp ‘OFF’
Remote 가
- 2) ALARM
 - . Fail & Pump Stop
 - . Valve Fail :
 - Miss Position
LED ‘ON’ , ‘OFF’
 - Indicating , LED ‘ON’
 - . Pump Stop : Pump Stop LED ‘ON’
Close 가 (Interlock)
- 3) Open/Close - Push Button
 - . Open : Open Bypass Open (Main Controller setting time) Lamp Main Valve Open Lamp ‘ON’
 - . Close : Button , Pump Stop Close

2. Remote Controller –

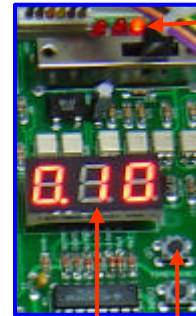
Controller



- Local/Remote Selecting ,
Local Controller
(Local/Remote Button)

3. Main Control Box – Pump Rack

Control Box



- 1) Pump Signal Selection Switch
 - . Pump Maker
 - . NO (A) :
– Alcatel, LOT, Ebara
– LED
 - . NC (B) :
– Edwards (Pump Run Open)
- * : Pump Maker 가
Pump Stop Auto Close
- 2) Soft Pumping Time
 - . Open Bypass OPEN
 - . : (sec)
 - . : Up/Down 가

4.

- 1) Controller Power ‘OFF’ :
. OPEN Power OFF OPEN
. (1) Control Power OFF
- 2) Control Power ‘OFF’ , N2 Main Controller
Sol. Valve Manual Operation 가

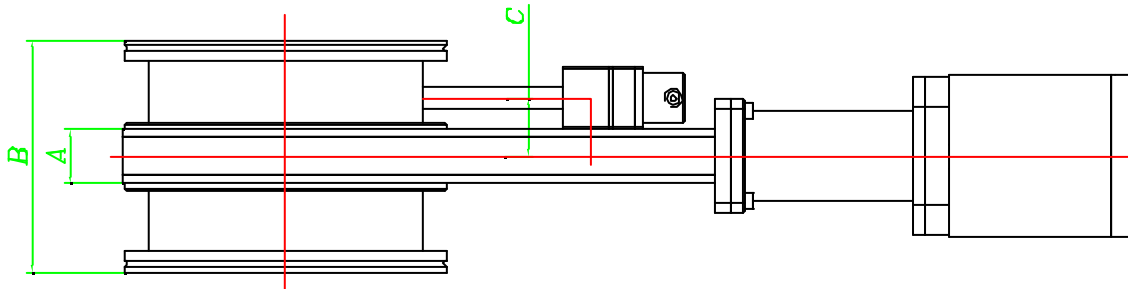
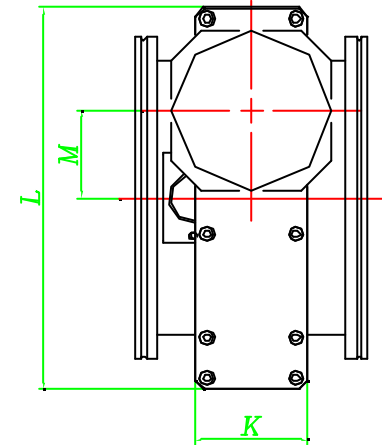
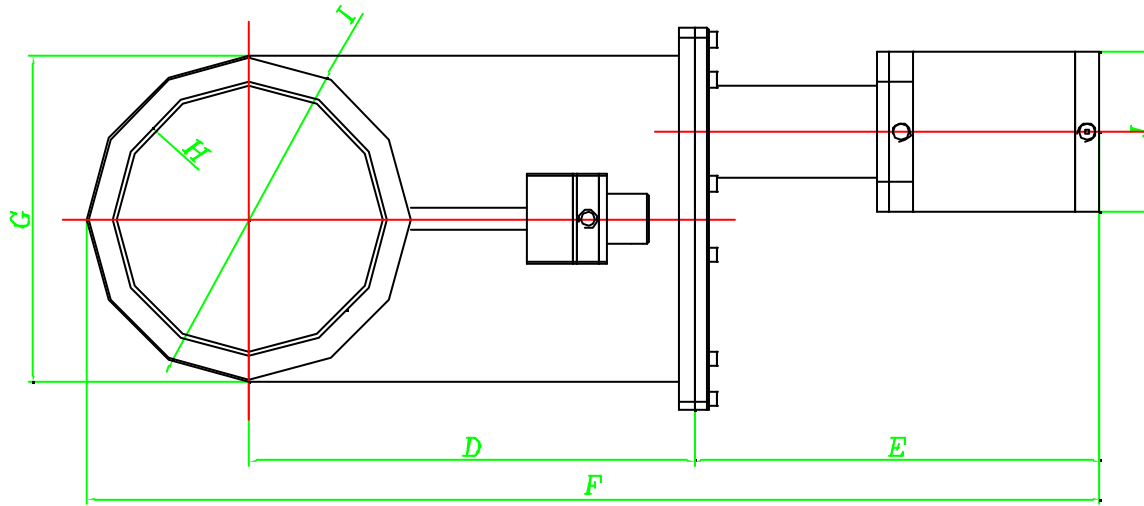


- . Manual 가
()
. Controller 가

MVO : Main V Open MVC : Main V Close
BVO : Bypass V Open BVC : Bypass V Close

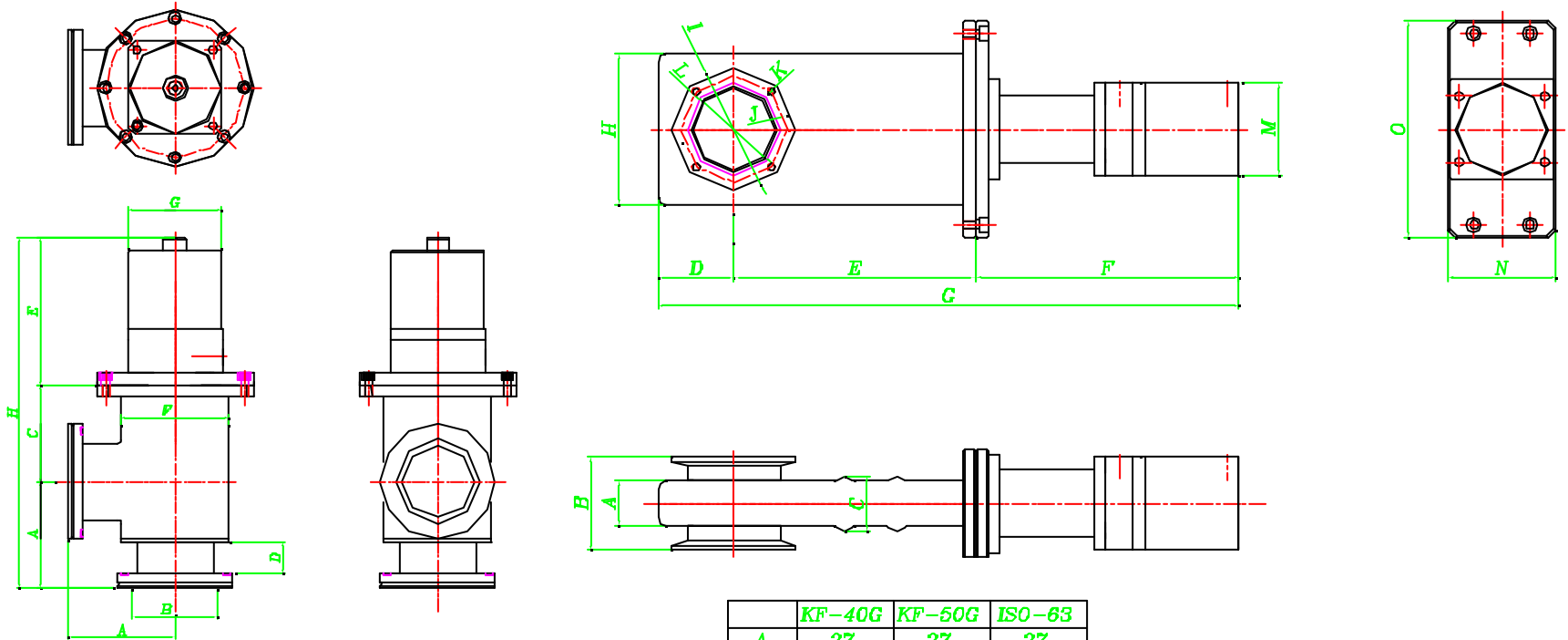
Auto Gate Valve (TGUSA-MF160/125)

Soft Start Auto Gate Valve



	MF-125	MF-160
A	30	30
B	130	130
C	32.5	32.5
D	221	249
E	227	227
F	525.5	567
G	153	182
H	122.7	148.6
I	155	180
J	90	90
K	63	63
L	183	214
M	34.5	49

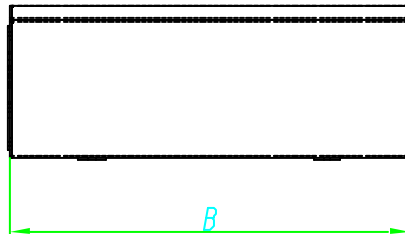
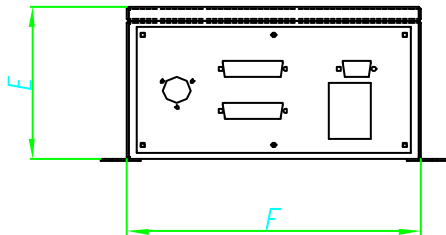
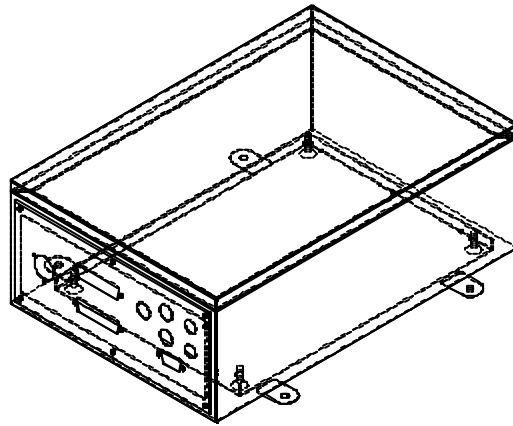
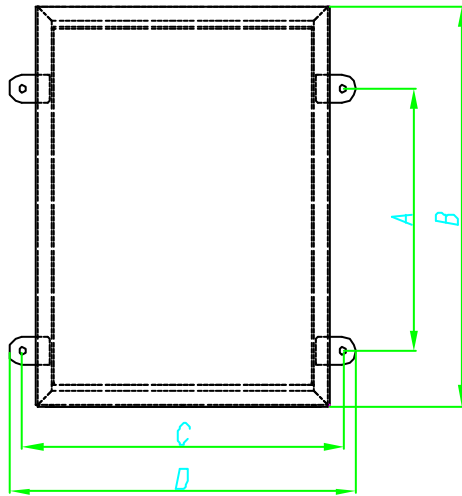
Auto Gate Valve (TGVA-50)



	KF-50	MF-63
A	70	88
B	52.5	59.5
C	80	79.5
D	19	25
E	105.5	121.4
F	76.3	89
G	46	77
H	255.5	288.9

	KF-40G	KF-50G	ISO-63
A	27	27	27
B	57	57	51
C	33	33	27
D	46	46	56
E	147	147	198
F	160	160	149.1
G	353	353	412.1
H	92	92	110
I	55	75	130
J			108.35
K			4-M8
L	40	50	70.2
M	58	58	82
N	66	66	68
O	132	132	149

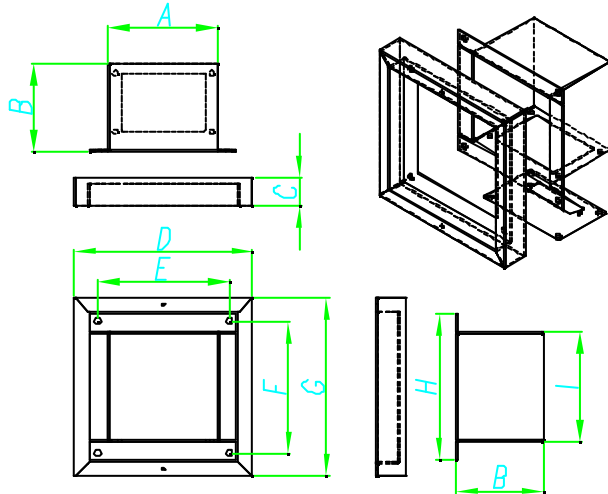
AGV-Main Controller



	1CH	2CH	3CH	4CH
A	190	210	210	230
B	290	310	330	350
C	233	300	380	390
D	252	320	400	410
E	110.5	110.5	110.5	110.5
F	212	280	360	370

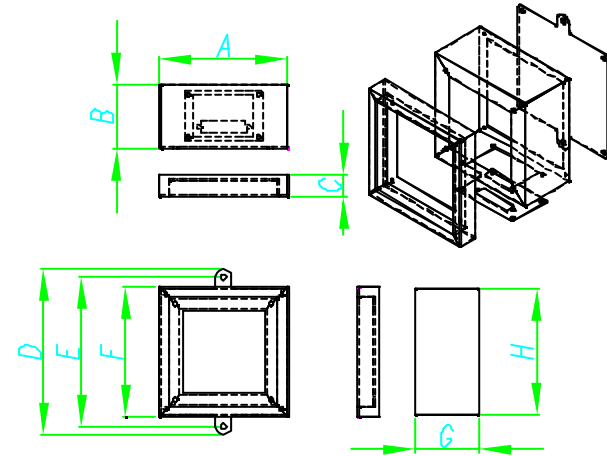
AGV Controllers

Local Controller



	1CH	2CH	3CH	4CH
A	75			
B	60			
C	20			
D	122			
E	90			
F	90	150	210	270
G	122	182	242	302
H	100	160	220	280
I	75	135	195	255

Remote Controller



	1CH	2CH	3CH	4CH
A	119.5			
B	30			
C	20			
D	154	214	274	334
E	139	199	259	319
F	122	182	242	302
G	30	30	30	30
H	119.5	179.5	239.5	299.5